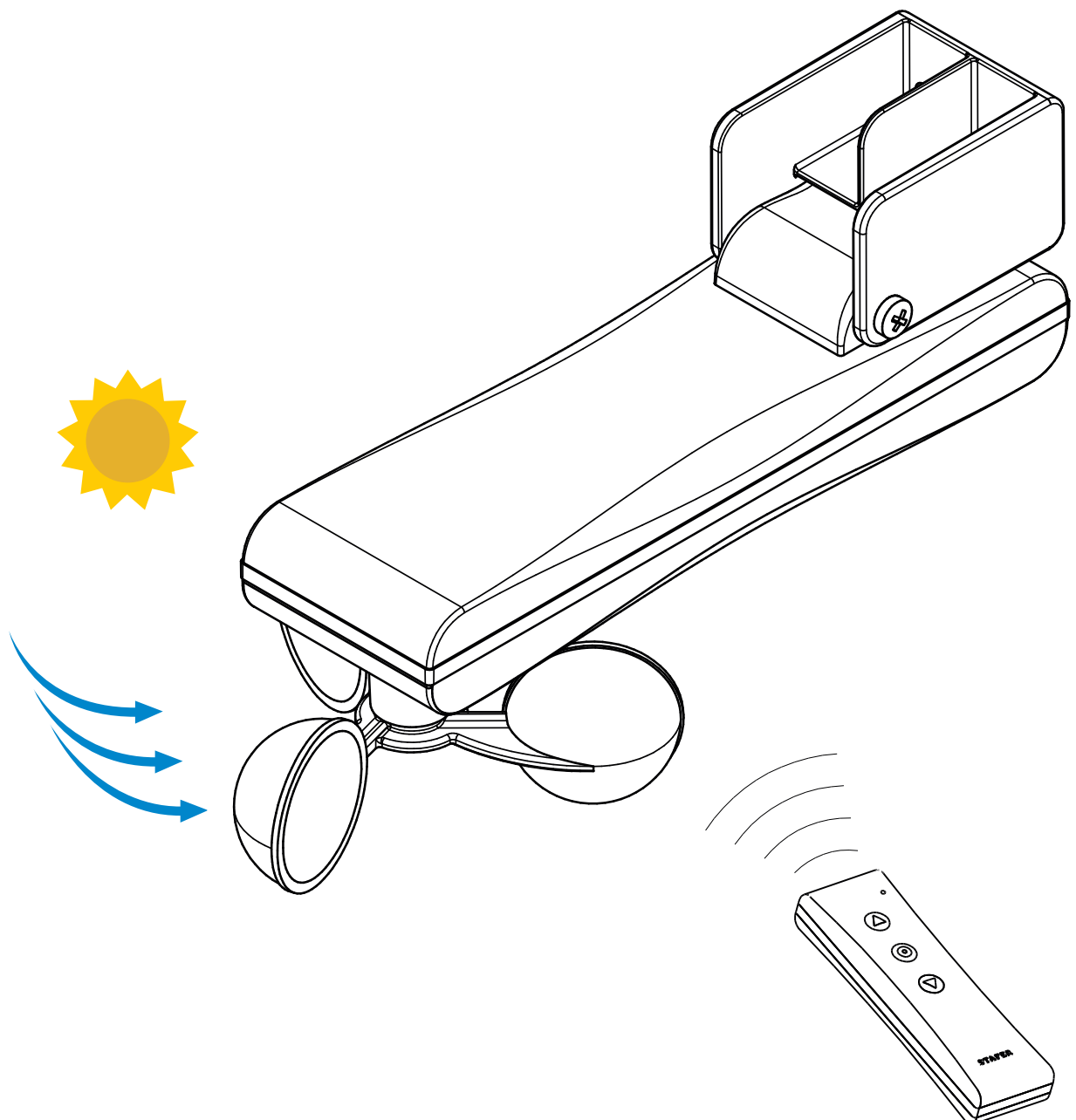


## USER AND MAINTENANCE MANUAL: Radio-controlled sun/wind anemometer for 1 or 2 motors

ENG

# 595.K.RS.00



Dear Customer, thank you for purchasing a Stafer S.p.A. product. This guide contains information about the use of the product. Before installing and using the product, please read this guide carefully and keep it for future reference. 595.K.RS.00 is a sun/wind sensor designed to operate tubular motors with mechanical limit switch powered by main voltage, and suitable to operate awnings, blinds or similar products. It can be controlled by buttons only, remote control only or both. 595.K.RS.00 allows operating the automatic retraction of awnings connected to the motor when the wind exceeds the set threshold, as well as their release when the intensity of sun exceeds the set threshold. These thresholds are set by the factory, but they can be adjusted according to the needs.

## WARNING!!

**This sensor does not protect shutters in case of strong and sudden wind gusts.** In case of weather hazards of this type, make sure that shutters remain closed! Stafer S.p.A. declines all liability for damage incurred due to weather events not detected by the device. Any other use beyond the field defined by Stafer S.p.A. is prohibited and involves, as well as the failure to comply with instructions provided in this guide, voidance of Stafer S.p.A.'s liability and warranty. The installer, after the installation of the product, must train the end user about the use of the automation and provide him with the user and maintenance manual.

Index	
01 Warnings	page 01
02 Assembly instructions	page 02
03 Electrical connections	page 02
04 Interfacing with home automation control units	page 04
05 How to store the setting of the first remote control	page 04
06 Store/delete additional remote controls	page 05
07 WIND sensor	page 05
08 SUN function	page 06
09 Operating logic of command buttons	page 07
10 Automatic lowering function after wind alarm	page 07
11 Anemometer check on awning status	page 07
12 Anemometer reset to factory values	page 08
13 Total reset to factory values	page 08

## Technical specifications

✓ Power supply:	120 or 230 Vac, 50/60 Hz
✓ Dimensions:	240 x 60 x H.111/133 mm
✓ Weight:	230 g
✓ Operating temperature:	from -20 to +55 °C
✓ Protection degree	IP 55
✓ Wind threshold:	from 5 to 35 km/h
✓ Sun threshold:	from 1 to 45 Klux

## Let's protect the environment!

STAFER uses recyclable packaging materials. Dispose of materials in proper containers, in compliance with laws in force in your location.

If you are an installer and use a large number of motors, ask your dealer about receiving motors in "honeycomb pads", an environmentally friendly choice that limits clutter and waste by reducing the amount of packaging materials.

This product may have substances that are polluting for the environment and dangerous for the health. At the end of the product life cycle, carefully comply with local waste disposal rules. It is strictly forbidden to dispose of the product in the domestic waste.



## Notes on radio systems

It is advisable **to avoid using radio systems in areas with strong interference** (for example, near police stations, airports, ports, banks, etc.). Radio systems can be used where possible disturbances or malfunctioning of the transmitter or the receiver do not cause a risk factor, or if the risk factor is cancelled by suitable safety systems. The presence of radio devices operating on the same transmission frequency (**433.42 MHz**) can interfere with the radio receiver of the device and thus reduce the range of the system and limit the functionality of the entire system.



# 01. WARNINGS. WARNING!

## 01.1 SAFETY WARNINGS

- ✓ Incorrect installation can cause serious injuries.
- ✓ Keep these instructions for future maintenance operations and the disposal of the product.
- ✓ All the product installation, connection, programming and maintenance operations must be carried out only by a qualified and skilled technician, who must comply with laws, provisions and local regulations, and the instructions provided herein.
- ✓ Wiring must comply with current CEI standards. In compliance with the provisions of Italian Ministerial Decree 37/2008, the final electrical system must be installed only by an electrician.
- ✓ Some applications require "man present" operation and can exclude the use of radio commands or require particular safety devices.
- ✓ To prevent potentially dangerous situations, regularly check the operating condition of the rolling shutter/awning.

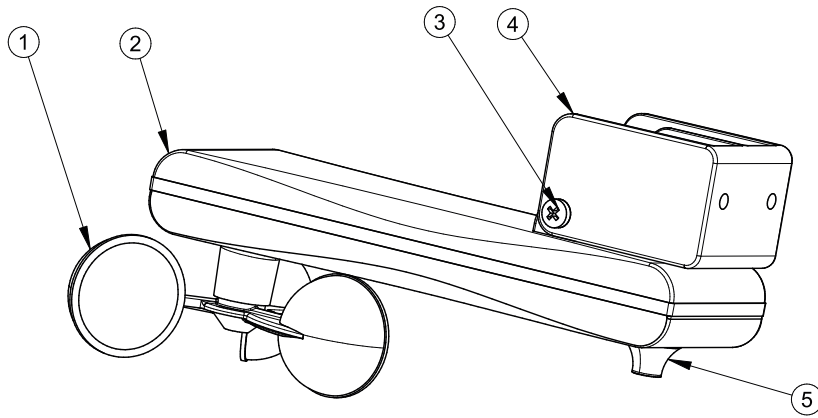
## 01.2 INSTALLATION WARNINGS

- ✓ Read the technical specifications in paragraph "Technical Specifications" to evaluate the operating parameters of the product.
- ✓ Before installing the product, check compatibility with associated devices and accessories.
- ✓ The motor connected to the device must be of the "mechanical limit switch" type, without any electronic control; the motor must be of power adequate to the charge (check the rating plate data on the motor).
- ✓ Check that the package is intact and has not been damaged during transport.
- ✓ A heavy shock, falls, crushing and the use of unsuitable tools can cause the damage of the external or internal parts of the product.
- ✓ Do not pierce or tamper with the product in any way. Do not modify or replace parts without the Manufacturer's permission.
- ✓ Check that the location selected for product installation enables the blades to be exposed to the same wind to which the rolling shutter to be motorized is exposed.
- ✓ Check that the installation location is made of solid materials and can ensure a stable installation.
- ✓ Do not install the product near heat sources (such as chimneys, etc....).
- ✓ Adjust the control unit inclination so that blades are positioned horizontally.
- ✓ The wind detection blades must face downward. The blades must be free to rotate without obstruction.
- ✓ Check that the control unit is placed in a protected position from accidental impact with other objects (e.g. branches, etc.).
- ✓ The power cable must be positioned in such a way as to avoid contact with moving parts.
- ✓ Do not use abrasive or solvent products for cleaning the device; do not clean using water-jet or high-pressure cleaners.
- ✓ For your safety, do not work near the coiler while the motor is powered.

## 01.3 USE WARNINGS

- ✓ The product is not intended to be used by persons (including children) with reduced physical, sensory or mental capabilities, or lack of experience and knowledge, unless they are supervised or given instructions about the product way of use by a person responsible for their safety.
- ✓ Check automation during operation and keep people at a safe distance, until operation ends.
- ✓ Do not allow children to play with the appliance or with the fixed control devices.
- ✓ Do not operate the rolling shutter when maintenance operations are being carried out (e.g. window cleaning, etc.). If the control device is automatic, disconnect the motor from the power line.

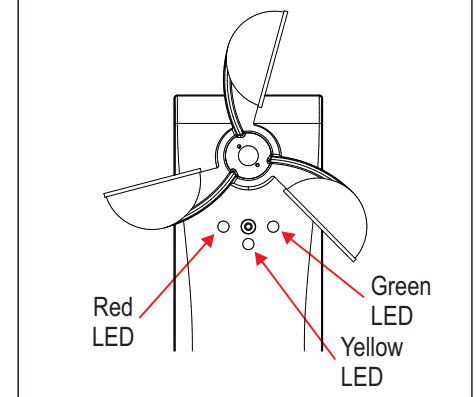
## 02. ASSEMBLY INSTRUCTIONS



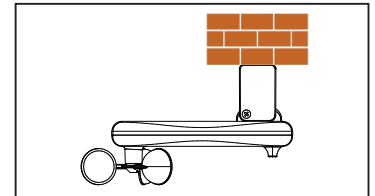
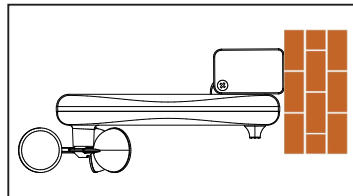
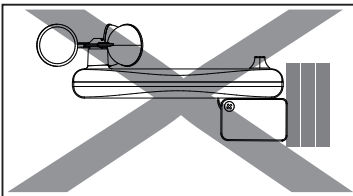
### Components key:

- (1) Impeller
- (2) Anemometer body
- (3) Support fastening screw
- (4) Wall fastening support
- (5) Rubber cable entry

### 02.1 LED DIAGRAM

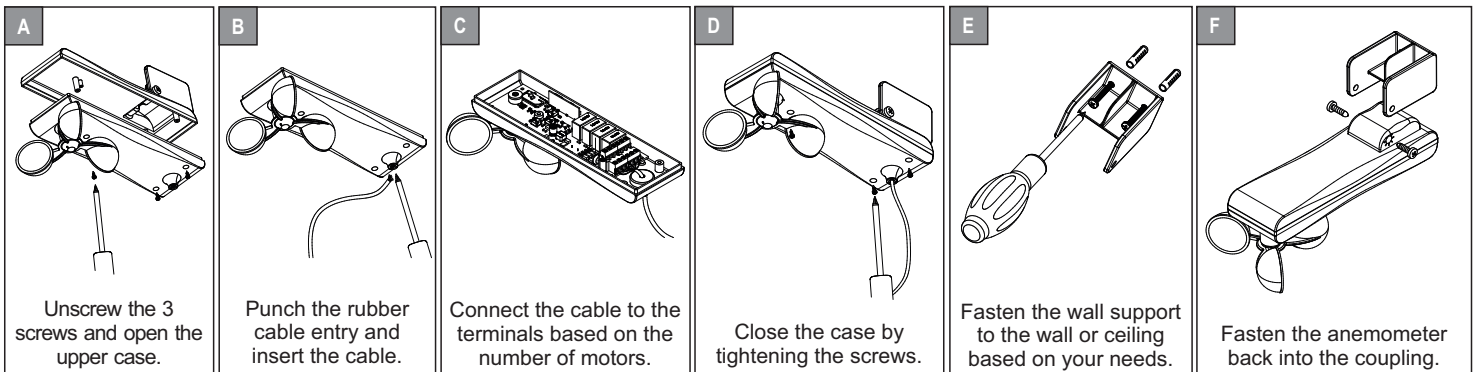


### 02.2 FASTENING SYSTEMS



### 02.3 ASSEMBLY INSTRUCTIONS

The anemometer is normally supplied already wired. If not, follow the instructions below.



#### Notes:

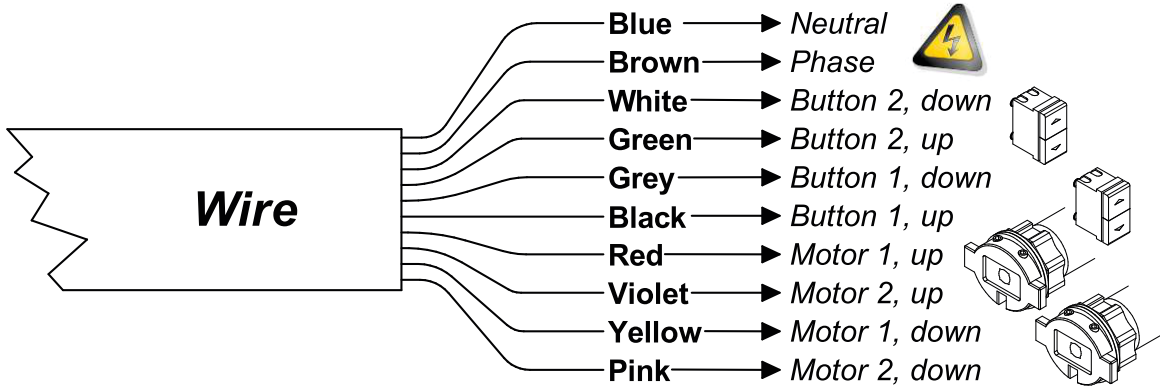
- ✓ the product has been designed to be installed with blades facing downward. Moreover, the sensor body must be adjusted horizontally.
- ✓ the bore interaxis is 25 mm.
- ✓ as soon as the anemometer is powered, the three coloured LEDs will briefly flash 3 times.

## 03. ELECTRICAL CONNECTION

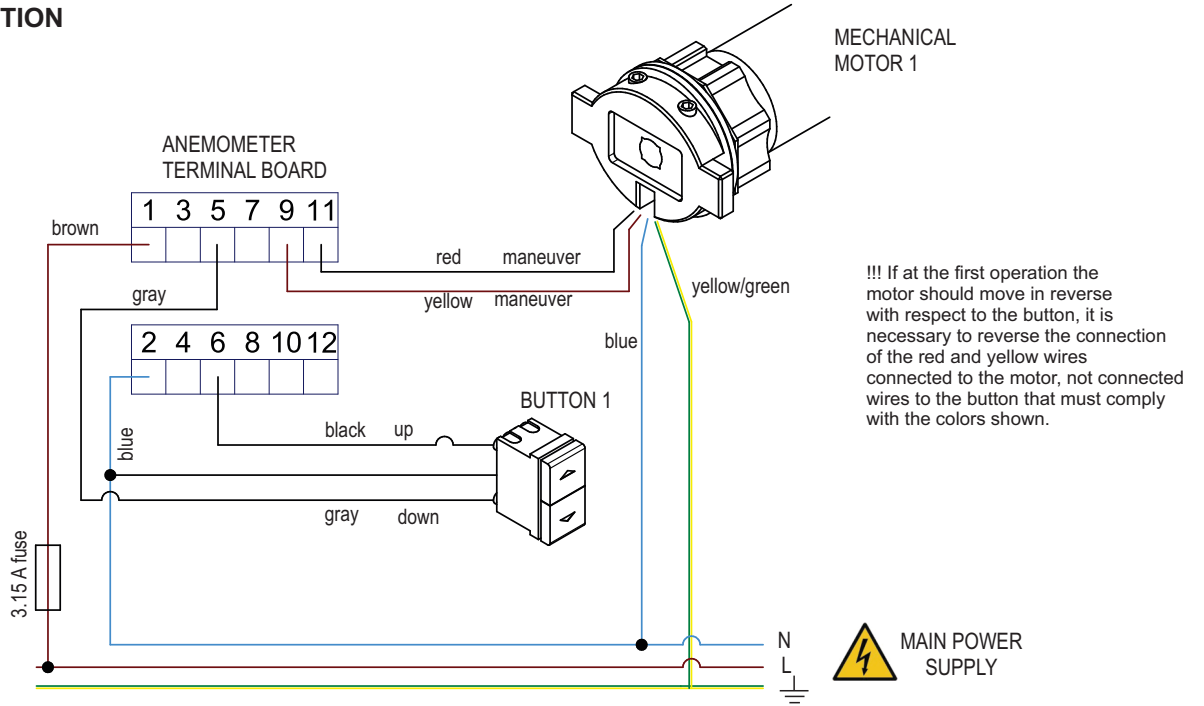


- ✓ Make all connections with the power supply disconnected.
- ✓ Check that the power line does not feed on electrical circuits to be used for lighting.
- ✓ Always connect the motor to the grounding system (yellow/green).
- ✓ The power line must be equipped with a magnetothermal or differential circuit breaker. A category III overvoltage disconnection device must be fitted on the power supply line, i.e. at a distance of at least 3.5 mm between the contacts.
- ✓ The product does not provide for any protection against overloads or short circuits. Provide adequate protection for the load on the power supply line, for example a fuse with a maximum value of 3.15A (for 1 motor) or 6.3A (for 2 motors).
- ✓ The section of the connecting cables must be proportionate to their length and to the power load absorption, and, in any case, not less than 1.5 mm.
- ✓ **You must use command buttons with spring return (“man present” type), do NOT use switches with maintained position.**
- ✓ Command buttons are connected to the main voltage, so they must be properly insulated and protected.
- ✓ **Once the electrical connections are finished, bring the motor/motors to intermediate position and check that in the “wind alarm” condition the module controls the upward movement of the motor/motors (to exit the “wind alarm”, disconnect power for a few seconds).**

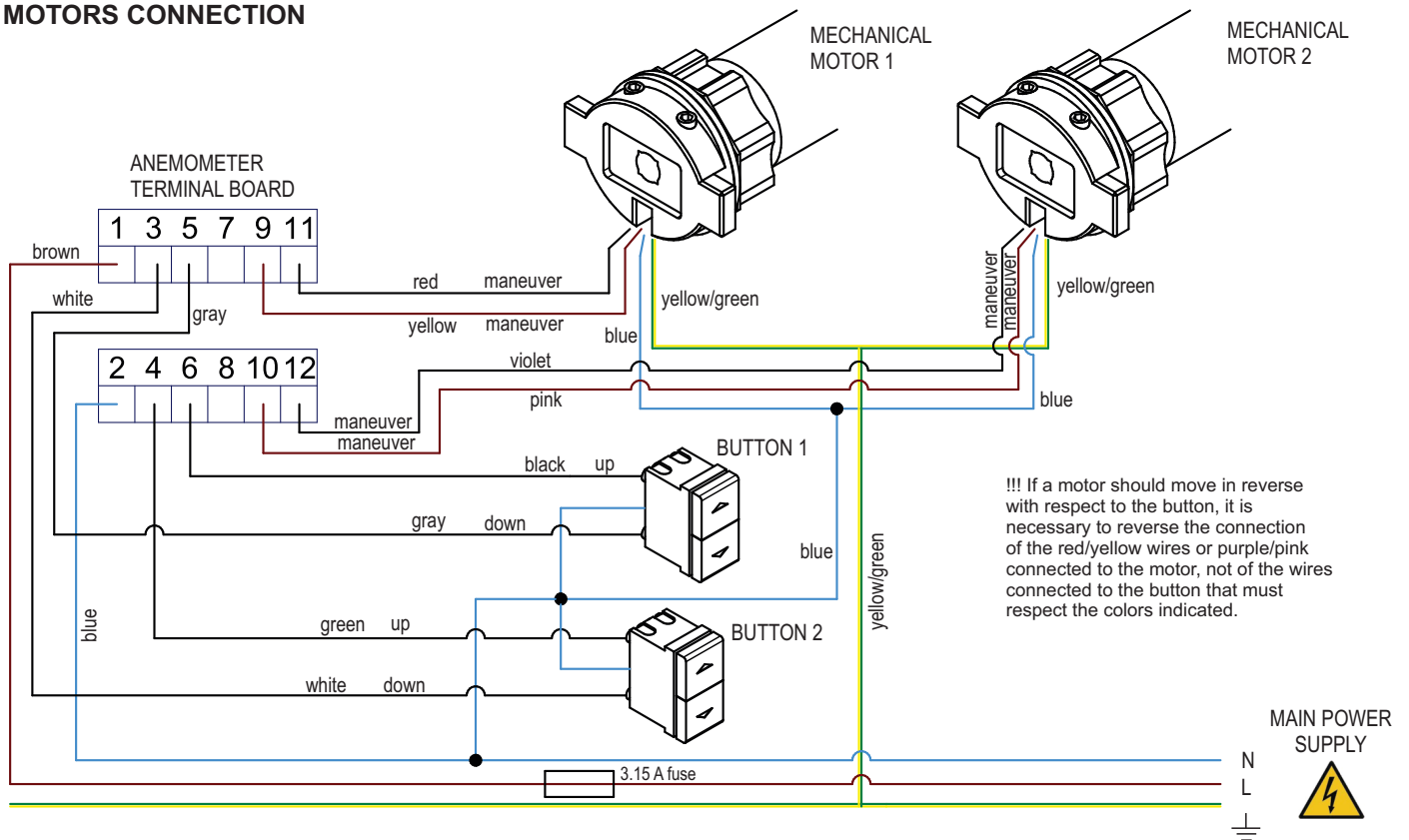
Below is the combination of colored cables with the corresponding controls.



### 1 MOTOR CONNECTION



### 2 MOTORS CONNECTION



## 04. INTERFACING WITH HOME AUTOMATION CONTROL UNITS

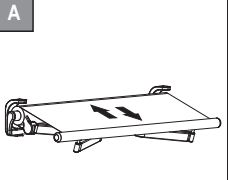
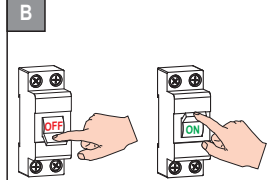
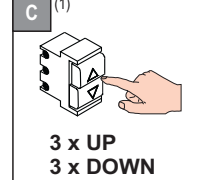
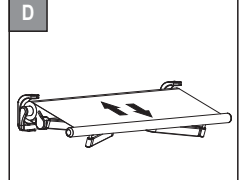
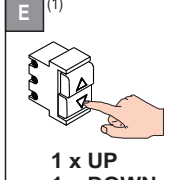
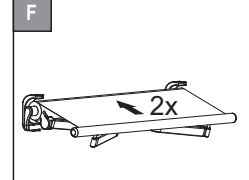
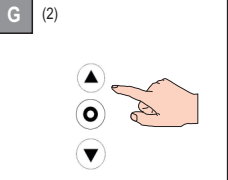
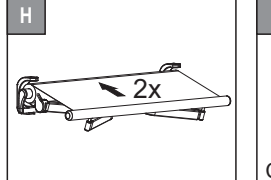
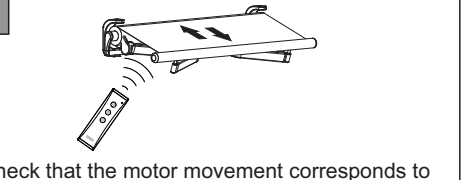
- ✓ This device can be interfaced to the most widespread home automation control units through the wires of the command buttons (it is still necessary to check beforehand the compatibility, assessing whether the home automation control unit is able to provide appropriate signals to the device).
- ✓ **Warning:** Before making any connections between your device and the home automation control unit you need to choose the operating logic of the buttons that will best suit your home automation system ("pulse" or "man present" logic, see section 8 "Operating logic of command buttons").
- ✓ If you select the "pulse" operating logic (factory setting), the home automation control unit must be able to generate timed signals on the contacts for the buttons (greater than 0.5 sec to start the manoeuvre, less than 0.5 sec to stop the manoeuvre). If your home automation system does not have this feature, you must set the device to operate in "man present" logic.
- ✓ Note that the **OPEN** and **CLOSE** contacts of the home automation control unit, connected to the wires of the command buttons on the device, must close on phase.

## 05. HOW TO STORE ONE OR MORE REMOTE CONTROLS (OPTIONAL)

The system can work with buttons only, with remote control only, or with both. To store the settings of one or more remote controls, proceed as follows.

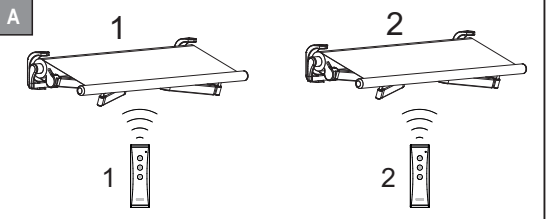
### 05.1 STORING THE FIRST REMOTE CONTROL FOR MOTOR 1

If a wall-mounted button does not need to be installed, it is essential to have a "flying" button to store information about the remote control (connect it as shown in the diagram on page 3). The anemometer can be associated with two one-channel remote control, Item 595.T.X1.00, 595.M.X1.00 and Item 596.T.X1.00, or to a multi-channel remote control Item 596.T.X6.00. In the later case, it is necessary to initially select the desired channel to be associated with the motor. Other remote controls, after being "copied" to the one already functioning, can control the same motor (see the instructions of the corresponding remote control). To store the settings of the first remote control, proceed as follows.

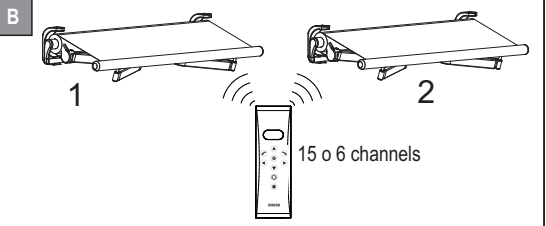
<p><b>A</b></p>  <p>Move the motor to an intermediate position by pressing the button.</p>	<p><b>B</b></p>  <p>Switch OFF power supply for few seconds, then switch it ON again.</p>	<p><b>C</b> <sup>(1)</sup></p>  <p><b>3 x UP</b> <b>3 x DOWN</b></p> <p>Within 15 seconds press 3 times on UP and 3 times on DOWN.</p>	<p><b>D</b></p>  <p>The motor completes 1 up/down movement.</p>	<p><b>E</b> <sup>(1)</sup></p>  <p><b>1 x UP</b> <b>1 x DOWN</b></p> <p>Within 15 seconds, press UP once and DOWN once.</p>	<p><b>F</b></p>  <p>After 15 seconds Motor makes 2 upward movements.</p>
<p><b>G</b> <sup>(2)</sup></p>  <p>On the remote control press STOP or UP.</p>	<p><b>H</b></p>  <p>Motor makes 2 upward movements.</p>	<p><b>I</b></p>  <p>Check that the motor movement corresponds to the remote control button. Otherwise, invert the wires of terminals 9 and 11 inside the anemometer.</p>	<p><b>Notes:</b> (1): the button must be briefly pressed, approx. 1 second between two pressings.</p>		

### 05.2 STORING REMOTE CONTROL OF MOTOR 2

To store settings of the second motor, the first motor must be associated with a remote control. Follow the instructions by identifying your desired system based on your needs and devices.

<p><b>A</b></p>  <p>Possibility to move 2 awnings independently with two different remote controls.</p>	<ol style="list-style-type: none"> <li>01. Take the remote control previously stored and working, and move the awning to an intermediate position.</li> <li>02. Switch OFF power supply for few seconds, then switch it ON again.</li> <li>03. By acting on the button on the wall that controls the first motor press 3 times on UP and 3 times on DOWN. The motor completes 1 up/down movement.</li> <li>04. Within 15 seconds press 2 times on UP and 6 times on DOWN. After some seconds motor makes 2 upward movements.</li> <li>05. On the remote control to be associated with the second motor press <b>UP</b> or <b>STOP</b>. The second motor performs two upward movements to confirm setting storage.</li> <li>06. If the motor movement does not correspond to the remote control button, invert the wires of terminals 10 and 12 inside the anemometer.</li> </ol>
---	--

Note: it is not possible to associate both motors to the same single channel radio control 595.T.X1.00. If you want to have only one remote control for both awnings, it is necessary have the multi-channel remote control (see below).

<p><b>B</b></p>  <p>Possibility to move 2 awnings independently from two distinct channels of a remote control multi channels and the possibility of moving them simultaneously using the automatic SE group channel.</p>	<ol style="list-style-type: none"> <li>01. Take the remote control already stored and working, select the channel associated with the first motor and move the awning to an intermediate position.</li> <li>02. On the remote control then select the channel to associate with the second motor (for example CHANNEL 2).</li> <li>03. Switch OFF power supply for few seconds, then switch it ON again.</li> <li>04. By acting on the button on the wall that controls the first motor press 3 times on <b>UP</b> and 3 times on <b>DOWN</b>. The motor completes 1 up/down movement.</li> <li>05. Within 15 seconds press 2 times on <b>UP</b> and 6 times on <b>DOWN</b>. After some seconds motor makes 2 upward movements.</li> <li>06. On the remote control press <b>UP</b> or <b>STOP</b>. The second motor performs two upward movements to confirm setting storage.</li> <li>07. If the motor movement does not correspond to the remote control button, invert the wires of terminals 10 and 12 inside the anemometer.</li> </ol>
---	--

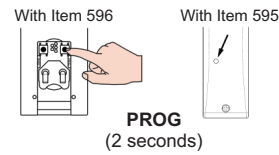


## 06. HOW TO ADD OR REMOVE A REMOTE CONTROL

After having stored one or more remote controls, it is possible to add other ones by “cloning” the functioning remote controls. It is also possible to eliminate an already stored and functioning remote control. Proceed as follows.

### 06.1 USING THE REMOTE CONTROL (Only if a remote control is already stored)

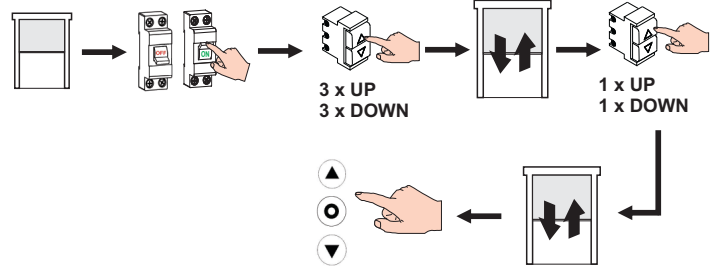
- Bring the motor to the intermediate position.
- Press **PROG** of a remote control already stored, for 2 seconds. Motor makes 2 upward movements.
- Within 15 seconds...  
to add a remote control: press **STOP** or **UP** on the remote control to be added.  
to delete a remote control already stored: press **DOWN**.
- 2 UP movements: device stored!!  
1 DOWN movement: device deleted!!



**NOTES:**  
point 04. “error” is displayed if the radio code does not operate in a timely manner (2 downward movements).

### 06.2 USING THE COMMAND BUTTONS

- Bring the motor to the intermediate position.
- Turn off the power, wait a few seconds, then power up again.
- Within 15 seconds, briefly and quickly press **UP 3 times** and **DOWN 3 times**. Motor makes 3 upward movements.
- Within 15 seconds, briefly and quickly press **UP once** and **DOWN once**. Motor makes 2 upward movements.
- Within 15 seconds...  
to add a remote control: press **STOP** or **UP** on the remote control to be added.  
To delete a remote control: press **DOWN** on the remote control to be deleted.
- 2 UP movements: device stored!!  
1 DOWN movement: device deleted!!



**NOTES:**  
point 04. “error” is displayed if the radio code does not operate in a timely manner (2 downward movements).

## 07. WIND SENSOR

If wind speed is above the set threshold for at least 15 seconds, an upward movement is activated to protect the awning (wind alarm). During this phase, **all manual commands are disabled**. The control unit exits the “wind alarm” if the wind speed keeps below the set threshold for at least 5 minutes. The wind threshold ranges from 5 km/h to 45 km/h. The factory sets the wind threshold at level 2. If two motors are coupled with the anemometer, it is sufficient to operate a motor only, either by button or remote control, and the settings will be valid also for the second motor.

### 07.1 CHANGE OF WIND THRESHOLD BY USING A REMOTE CONTROL OR A WALL-MOUNTED BUTTON

#### USING THE REMOTE CONTROL Item 596

- In the case of multichannel, select the correct radio channel and move the motor to an intermediate position.
- Press **MENU**. The motor shows: up/down. Display shows: - - .
- Press **UP** twice and **DOWN** once. 21 appears on the display.
- Press **STOP** once. The motor shows: up/down.
- Press **UP** once. The motor shows the current value by performing 1 to 5 movements (see Table 1).  
Factory sets the value on 2.
- Press the **UP** button a number of times equal to the desired value.
- The motor performs upward movements equal to the set value.
- Press **MENU** to exit (the motor does not show anything).

#### USING THE WALL-MOUNTED BUTTON

- Bring the motor to the intermediate position.
- Remove and restore power.
- Press 3 times on **UP** and 3 times on **DOWN**. The motor shows: up/down.
- Press **UP** twice and **DOWN** once. After 15 sec. motor shows up/down
- Press **UP** once. The motor shows the current value by performing 1 to 5 movements.  
(1 = 5km/h; 2 = 10km/h; 3 = 15km/h; 4 = 25km/h; 5 = 45km/h).  
Factory sets the value on 2.
- Press the **UP** button a number of times equal to the desired value.
- After 2 seconds, the motor performs upward movements equal to the set value.

#### USING THE REMOTE CONTROL Item 595

- Bring the motor to the intermediate position.
- Press quickly **3 times on PROG\*** on the back (red led on).  
The motor shows: up/down.
- Press **UP** twice and **DOWN** once.
- Press **STOP** once. The motor shows up/down
- Press **UP** once. The motor shows the current value by performing 1 to 5 movements.  
(1 = 5km/h; 2 = 10km/h; 3 = 15km/h; 4 = 25km/h; 5 = 45km/h).  
Factory sets the value on 2.
- Press the **UP** button a number of times equal to the desired value.
- After 2 seconds, the motor performs upward movements equal to the set value.
- Press quickly **PROG\* 3 times** to exit (red led off, the motor does not show anything).

Tab. 01 - Wind threshold

No. of movements	Threshold
1	5 Km/h
2	10 Km/h
3	15 Km/h
4	25 Km/h
5	45 Km/h

(\*) The buttons must be pressed shortly, max 0,5 seconds between two pressures.

#### Notes:

- The button must be briefly pressed, approx. 0,5 seconds between two pressings.
- The button must be briefly pressed, approx. 0,5 seconds between two pressings. If you do not want to change the setting, wait 15 seconds without pressing any button.
- If you try to set a wind threshold higher than 5, the value is rejected and completes 4 short up/down movements.

### 07.2 VISUAL LED SIGNALS ASSOCIATED WITH THE WIND SENSOR

RED LED flashing: anemometer in wind alarm mode.

### 07.3 FORCED EXIT FROM THE WIND ALARM

It is possible to exit the “wind alarm” mode without waiting for the 5 minutes required for the wind to go below the threshold, removing voltage from the device and waiting a few seconds before switching on again. Then wait 15 seconds before giving any command.

## 08. SUN FUNCTION

The "sun" function allows the awning to move automatically according to sun exposure, based on brightness measured by the light sensor installed on the anemometer. This function is deactivated by default and can be activated at a later time. If the intensity of the sun is above the set threshold for at least 2 minutes, an automatic downward manoeuvre is performed; if the intensity of the sun is below the set threshold for at least 15 minutes, an automatic upward manoeuvre is performed. Once an automatic downward manoeuvre for the presence of the sun is performed, the next automatic manoeuvre performed by the control unit will be an upward movement for absence of sun and so on. The user can, in any case, operate the awning, without the manual command affecting the operating logic of the sun sensor. The sun threshold ranges from 1 to 45 Klux. The factory sets the sun threshold to level 2. In the event of a wind alarm, the awning will be closed whether or not any sun is shining.

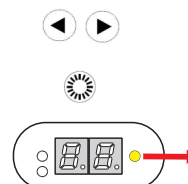
Following the automatic descent due to the sun, the anemometer maintains the power supply to the engine for 2 minutes (working time). During this time it is not possible to maneuver the engine as the maneuvers are inhibited.

On the anemometer, the yellow LED will remain on steady if the sun function is active, regardless of whether the sun is present or not.

### 08.1 ACTIVATION/DEACTIVATION OF "SUN" FUNCTION WITH REMOTE CONTROL OR WALL-MOUNTED BUTTON

It is possible at any time to check whether the sun function is activated or deactivated. On the anemometer, the yellow LED stays on steadily if the sun function is active, regardless of whether the sun is present or not.

#### USING THE REMOTE CONTROL Item 596

- 
- Select the channel associated with the motor (excluding "SE" sequencer channel)
  - Press the SUN button until the status of the YELLOW LED changes (about 2 seconds)
  - YELLOW LED LIGHT ON/OFF:**  
"sun" function **active/off**

#### USING THE WALL-MOUNTED BUTTON

01. Bring the motor to the intermediate position.
02. Remove and restore power.
03. Press **UP 3 times** and **DOWN 3 times\***. The motor shows: up/down.
04. Press **twice on UP** and **twice on DOWN**. After 15 seconds the motor shows up/down.
05. To activate, press **UP once**. To deactivate, press **DOWN once**.
06. After 2 seconds the motor moves **UP** or **DOWN** based upon the settings.
07. Wait for 10 seconds. The motor exits the menu without signalling.

#### USING THE REMOTE CONTROL Item 595

01. Bring the motor to the intermediate position.
02. Press quickly **3 times on PROG\*** on the back (red led on).  
The motor shows: up/down.
03. Press **twice on UP** and **twice on DOWN**.
04. Press **STOP once**. The motor shows: up/down.
05. To activate, press **UP once**. To deactivate, press **DOWN once**.
06. After 2 seconds the motor replicates UP or DOWN based upon the settings.
07. Press quickly **PROG\* 3 times** to exit (red led off, the motor does not show anything).

(\* ) The buttons must be pressed shortly, max 0,5 seconds between two pressures.

### 08.2 ADJUSTMENT OF "SUN" THRESHOLD WITH REMOTE CONTROL OR WALL-MOUNTED BUTTON

#### USING THE REMOTE CONTROL Item 596

01. Select the correct radio channel and bring the motor on the intermediate position.
02. Press **MENU**. The motor shows: up/down. Display shows: -- .
03. Press **twice on UP** and **3 times on DOWN**. 23 appears on the display.
04. Press **STOP once**. The motor shows: up/down.
05. Press **UP once**. The motor shows the current value by performing 1 to 5 movements (see Table 2).  
Factory sets the value on 2.
06. Press the **UP** button a number of times equal to the desired value.
07. After 2 seconds, the motor performs upward movements equal to the set value.
08. Press **MENU** to exit (the motor does not show anything).

#### USING THE REMOTE CONTROL Item 595

01. Bring the motor to the intermediate position.
02. Press quickly **3 times on PROG\*** on the back (red led on).  
The motor shows: up/down.
03. Press **twice on UP** and **3 times on DOWN**.
04. Press **STOP once**. The motor shows up/down
05. Press **UP once**. The motor shows the current value by performing 1 to 5 movements (see Table 2). Factory sets the value on 2.
06. Press the **UP** button a number of times equal to the desired value.
07. After 2 seconds, the motor performs upward movements equal to the set value.
08. Press quickly **PROG\* 3 times** to exit (red led off, the motor does not show anything).

#### USING THE WALL-MOUNTED BUTTON

01. Bring the motor to the intermediate position.
02. Remove and restore power.
03. Press **3 times on UP** and **3 times on DOWN**. The motor shows up/down.
04. Press **UP twice** and **DOWN 3 times**. After 15 sec. motor shows up/down.
05. Press **UP once**. The motor shows the current value by performing 1 to 5 movements (see Table 2). Factory sets the value on 2.
06. Press the **UP** button a number of times equal to the desired value.
07. After 2 seconds, the motor performs upward movements equal to the set value.
08. Wait for 10 seconds. The motor exits the menu without signalling.

Tab. 02 - Sun threshold

No. of movements	Threshold
1	Very sensitive (1 Klux)
2	.....
3	.....
4	.....
5	Not very sensitive (45 Klux)

(\* ) The buttons must be pressed shortly, max 0,5 seconds between two pressures.

#### Notes:

- 1) The button must be briefly pressed, approx. 0,5 seconds between two pressings.
- 2) If you try to set a sun threshold higher than 5 pulses, the value is rejected and completes 4 short up/down movements.

### 08.3 VISUAL LED SIGNALS ASSOCIATED WITH THE WIND SENSOR

YELLOW LED on steady: the sun function is active.  
YELLOW LED off: the sun function is not active.

## 09. OPERATING LOGIC OF COMMAND BUTTONS

This device provides the possibility to choose one of the following operating logics for the command buttons:

### “Pulse” logic

This is the default mode from the factory. The motor moves up (down) if the relevant contact is closed on phase for at least 0.5 sec, the motor will stop if any one of the two contacts is closed briefly (less than 0.5 sec).

### “Man present” logic

The motor moves up (down) if the relevant contact is closed on phase for at least 0.5 sec, the motor stops when contact is open.

#### USING THE REMOTE CONTROL Item 596

01. Select the correct radio channel and bring the motor on the intermediate position.
02. Press **MENU**. The motor shows: up/down. Display shows: - - .
03. Press **4 times on DOWN**. 04 appears on the display.
04. Press **STOP once**. The motor shows the current setting.  
Once UP = man present; once DOWN = pulse.
05. Within 5 seconds, press the **UP** or **DOWN** button according to the function you wish to set.
06. After 2 seconds the motor replicates the command received, with an UP or DOWN movement.
07. Press **MENU** to exit (the motor does not show anything).

#### USING THE WALL-MOUNTED BUTTON

01. Bring the motor to the intermediate position.
02. Remove and restore power.
03. Press **UP 3 times** and **DOWN 3 times\***. The motor shows: up/down.
04. Press **4 times on DOWN**. After 15 seconds the motor shows the current setting.  
Once UP = man present; once DOWN = pulse.
05. Within 5 seconds, press the **UP** or **DOWN** button according to the function you wish to set.
06. After 2 seconds the motor replicates the command received, with an UP or DOWN movement.
07. Wait for 10 seconds. The motor exits the menu without signalling.

#### USING THE REMOTE CONTROL Item 595

01. Bring the motor to the intermediate position.
02. Press quickly **3 times on PROG\*** on the back (red led on).  
The motor shows: up/down.
03. Press **4 times on DOWN**.
04. Press **STOP once**. The motor shows the current setting.  
Once **UP** = man present;  
Once **DOWN** = pulse.
05. Within 5 seconds, press the **UP** or **DOWN** button according to the function you wish to set.
06. After 2 seconds the motor replicates the command received, with an UP or DOWN movement.
07. Press quickly **PROG\* 3 times** to exit (red led off, the motor does not show anything).

(\*) *The buttons must be pressed shortly, max 0,5 sec. between two pressures.*

## 10. AUTOMATIC LOWERING FUNCTION AFTER WIND ALARM

This device allows lowering the awning automatically after it retracted due to a wind alarm.

After 5 minutes without wind, either of two situations can occur:

- If the sun sensor was activated, it will re-open the awning based upon brightness detection.

- If the sun sensor was deactivated, the awning will be automatically re-opened only if it was open when the wind was detected (if it was already closed, it will remain closed).

The automatic lowering function can be activated or deactivated. The factory sets it on ACTIVE mode. To change it, follow the procedure below.

#### USING THE REMOTE CONTROL Item 596

01. Select the correct radio channel and bring the motor on the intermediate position.
02. Press **MENU**. The motor shows: up/down. Display shows: - - .
03. Press **twice on UP** and **4 times on DOWN**. 24 appears on the display.
04. Press **STOP once**. The motor shows the current setting.  
Once UP = activate; Once DOWN = deactivate.
05. Within 5 seconds, press the **UP** or **DOWN** button according to the function you wish to set.
06. After 2 seconds the motor replicates the command with an **UP** or **DOWN** movement.
07. Press **MENU** to exit (the motor does not show anything).

#### USING THE WALL-MOUNTED BUTTON

01. Bring the motor to the intermediate position.
02. Remove and restore power.
03. Press **3 times on UP** and **3 times on DOWN**. The motor shows up/down
04. Press **twice on UP** and **4 times on DOWN**. After 15 seconds motor shows the current setting. Once UP = activate; Once DOWN = deactivate.
05. Within 5 seconds, press the **UP** or **DOWN** button according to the function you wish to set.
06. After 2 seconds the motor replicates the command received, with an **UP** or **DOWN** movement.
07. Wait for 10 seconds. The motor exits the menu without signalling.

Following the automatic descent, the anemometer maintains the power supply to the motor for 2 minutes (working time).

During this time it is not possible to maneuver the motor as the maneuvers are inhibited.

#### USING THE REMOTE CONTROL Item 595

01. Bring the motor to the intermediate position.
02. Press quickly **3 times on PROG\*** on the back (red led on).  
The motor shows: up/down.
03. Press **twice on UP** and **4 times on DOWN**.
04. Press **STOP once**. The motor shows the current setting.  
Once UP = activate; Once DOWN = deactivate.
05. Within 5 seconds, press the **UP** or **DOWN** button according to the function you wish to set.
06. After 2 seconds the motor replicates the command received, with an **UP** or **DOWN** movement.
07. Press quickly **PROG\* 3 times** to exit (red led off, the motor does not show anything).

(\*) *The buttons must be pressed shortly, max 0,5 sec. between two pressures.*

## 11. ANEMOMETER CHECK ON AWNING STATUS

If the motor does not respond to the commands, it is because an alarm has been activated. To understand the type of alarm, look at the colour of the LEDs under the anemometer. Alternatively, it is also possible to “ask” the anemometer about the alarm status. The device will order the motor to perform some movements corresponding to the active alarm. Proceed as follows.

#### USING THE REMOTE CONTROL Item 596

01. In the case of multichannel, select the correct radio channel.
02. Press **MENU**. The motor shows: up/down. Display shows: - - .
03. Press **twice on UP** and **5 times on DOWN**. 25 appears on the display.
04. Press **STOP once**. The motor provides information on the awning's current status. See table 3.
05. After 5 seconds, the motor returns to its initial position.
06. Press **MENU** to exit. The motor exits the menu without signalling.

#### USING THE REMOTE CONTROL Item 595

01. Press **3 times on PROG\***. The motor shows: up/down.
02. Press **twice on UP** and **5 times on DOWN**.
03. Press **STOP once**. The motor provides information on the awning's current status. See table 3.
04. After 5 seconds, the motor returns to its initial position.
05. Press **PROG 3 times** to exit (the motor does not show anything).



Tab. 03 - Alarm status

Awning position	No. of movements	Alarm
Closed	2 lowering	wind alarm
Open	3 x up	sun active

(\*) The buttons must be pressed shortly, max 0,5 seconds between two pressures.

## 12. ANEMOMETER RESET TO FACTORY VALUES

When the anemometer is reset, all settings will return to factory values. All associated remote controls will continue to remain stored.

### USING THE REMOTE CONTROL Item 596

01. Select the correct radio channel and bring the motor on the intermediate position.
02. Press **MENU**. The motor shows: up/down. Display shows: - - .
03. Press **twice on UP** and **8 times on DOWN**. 28 appears on the display.
04. Press **STOP once**. The motor performs 6 up/down movements.
05. Press **UP**.
06. The motor shows: up.
07. Press **MENU** to exit (the motor does not show anything).

### USING THE REMOTE CONTROL Item 595

01. Bring the motor to the intermediate position.
02. Press quickly **3 times on PROG\*** on the back (red led on). The motor shows: up/down.
03. Press **twice on UP** and **8 times on DOWN**.
04. Press **STOP once**. The motor performs 6 up/down movements.
05. Press **UP**.
06. The motor shows: up.
07. Press quickly **PROG\* 3 times** to exit (red led off, the motor does not show anything).

### USING THE WALL-MOUNTED BUTTON

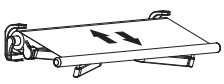
01. Bring the motor to the intermediate position.
02. Remove and restore power.
03. Press **UP 3 times** and **DOWN 3 times\***. The motor shows up/down
- 04: Press **twice on UP** and **8 times on DOWN**. The motor performs 6 up/down movements.
06. Press **UP twice**. The motor performs a brief movement to indicate that it was reset.
07. Wait for 10 seconds. The motor exits the menu without signalling.

(\*) The buttons must be pressed shortly, max 0,5 sec. between two pressures.

## 13. FACTORY VALUE RESET (TOTAL RESET)

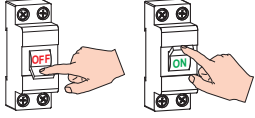
When the anemometer is reset, all settings will return to factory values. Remote controls will be deleted from the motors.

**A**



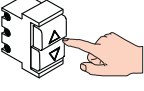
Bring the motor to the intermediate position.

**B**



Switch OFF power supply for few seconds, then switch it ON again.

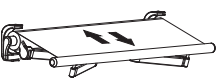
**C** <sup>(1)</sup>



**3 x UP**  
**3 x DOWN**

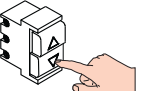
Within 15 seconds press 3 times on UP and 3 times on DOWN.

**D**



The motor completes 1 up/down movement.

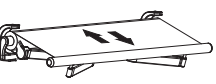
**E** <sup>(1)</sup>



**2 x UP**  
**9 x DOWN**

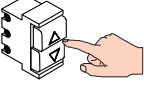
Within 15 seconds press twice on UP and 9 times on DOWN.

**F**



the motor performs 6 up/down movements


**G** <sup>(1)</sup>



**2 x UP**

Within 5 seconds, press UP twice

**H**



The motor performs a brief upward movement to indicate that it was reset.

Notes: (1) Button must be pressed shortly, approx. 1 second between two pressures.



All rights reserved.  
STAFER S.p.a. - via Malpighi, 9 - 48018 Faenza (RA) ITALY  
Tel. (+39) 0546.624811 - Fax (+39) 0546.623141 - www.stafer.com



All products and technical specifications given in this document are subject to variation without prior notice. Unless previously and specifically authorised by STAFER, the device must be used exclusively with transmitters produced by STAFER. STAFER cannot be considered responsible for damage caused by improper, incorrect or unreasonable uses.